



Air-Heater

AIRSNUGGER® SF2300



Air heaters features and benefits

- Lower noise to ensure the quiet sleeping environment
- Compact design with high heat output
- Easy installation
- Reduce fuel consumption
- Fast return on Investment
- Environmental protection certification

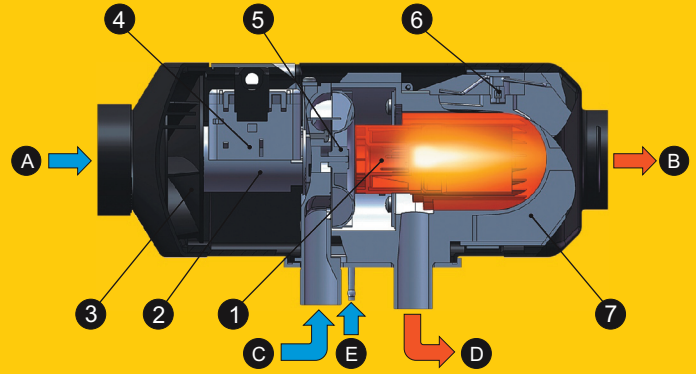


As snug as a bug in rug

AIRSNUGGER® SF2300 AIR-HEATER



Heater Control Panel



- | | |
|----------------------------------|-----------------------|
| (1). Combustion chamber | |
| (2). Blower motor | |
| (3). Hot air blower wheel | (A): Fresh air intake |
| (4). Control unit | (B): Hot air output |
| (5). Combustion air blower wheel | (C): Combustion air |
| (6). Overheat/Flame sensor | (D): Exhaust |
| (7). Heat exchanger | (E): Fuel supply line |

Air-Heater Performance Data

MODEL	AIRSNUGGER® SF2300			
Heating medium	Air			
Heating value (±10%) btu / hr (kW)	Super	Advanced	Medium	Lower
	7850 (2.3)	6485 (1.9)	4437 (1.3)	3072 (0.9)
Fuel consumption US.gal / hr (l / h)	0.07 (0.28)	0.06 (0.24)	0.04 (0.15)	0.02 (0.1)
Fuel	Diesel			
Air flow (±10%) cfm	49	41	20	28
Electric power consumption (watt) / amp running (12 and 24 Volt)	34 (2.8 / 1.4)	23 (1.9 / 0.95)	13 (1.1 / 0.54)	9 (0.75 / 0.375)
Start-up (watt) / amp (12 and 24 Volt)	≤100 (8.3 / 4.2)			
Rated voltage	12 or 24 Volt			
Operating voltage range Minimum voltage: under-voltage protection will shutdown the units when it reach to approx. 10.2 volt and 21 volt.	Approx. 10.5 volt and 21 volt Under-voltage protection: 20 secs			
Maximum voltage: over-voltage protection will shutdown the units when it reach to approx. 16 volt and 32 volt.	Approx. 16 volt and 32 volt Over-voltage protection: 20 secs			
Overheat protection (±10%) °C / °F	115°C / 239°F			
Allowed ambient temperature °C / °F	-40°C to +76°C / -40°F to +168.8°F			
Weight kg (ibs)	Approx. 2.7 (kg) / 5.9 (ibs)			

DIESEL HEATING AUSTRALIA: PO BOX 77 GYMEA NSW 2227 AUSTRALIA

Mob: 0423 419 358 • Ph: 02 9525 7358

Email: sales@dieselheatingaustralia.com • www.dieselheatingaustralia.com